

I.D.E.A.
Industria Distributori
Espressi Automatici

 **Caféco**

**INSTRUCTIONS & MAINTENANCE
MANUAL**

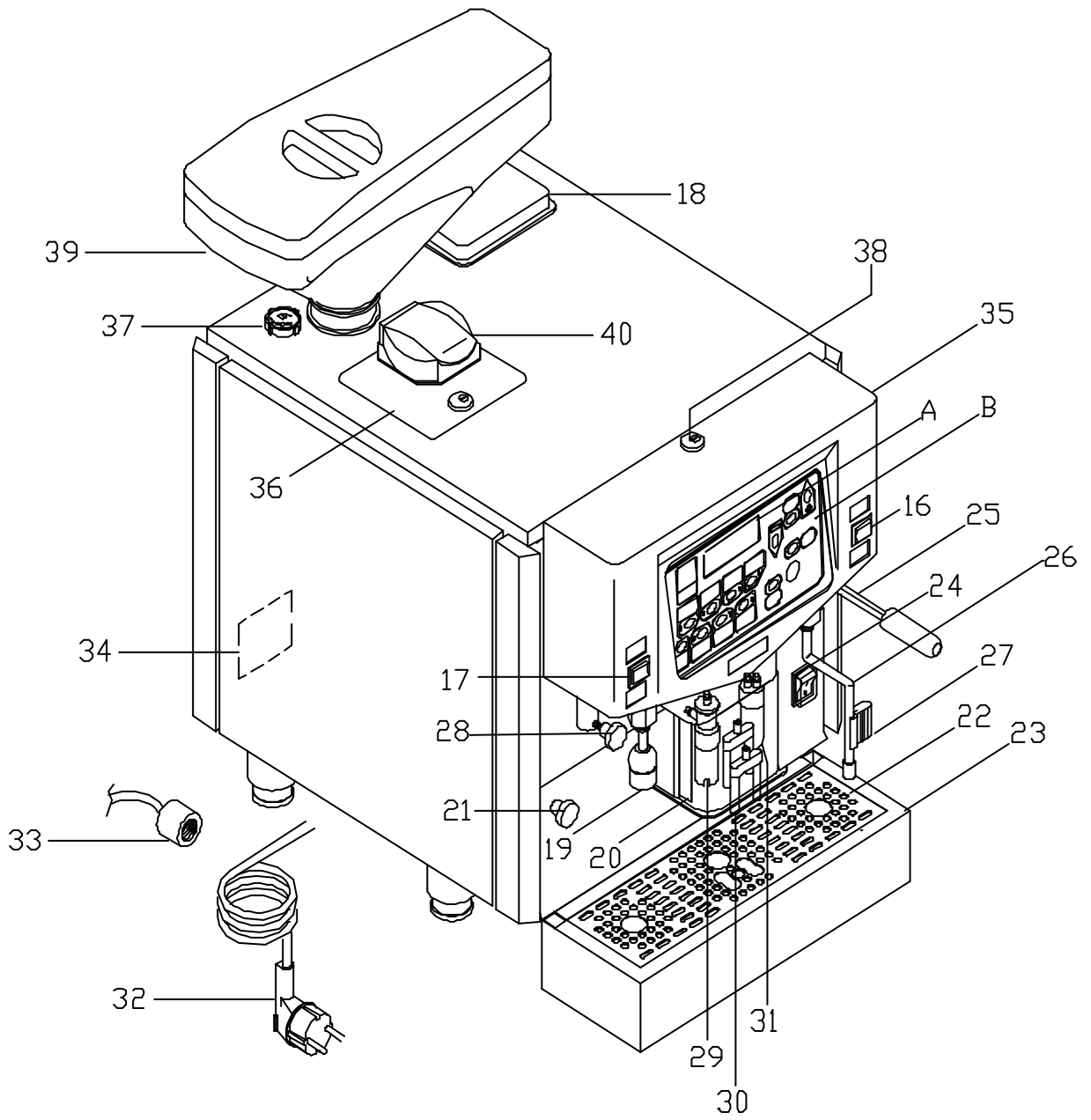
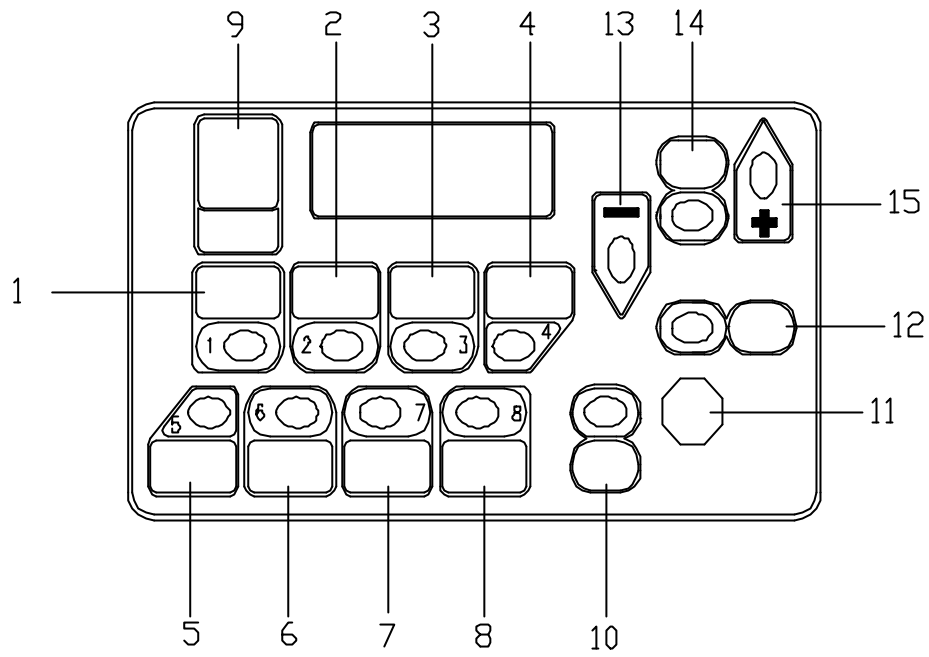
MERCURY

Version 1.1

(Release: September 2002)

www.cafeco.co.uk

E-mail: support@cafeco.co.uk



I. D. E. A. MERCURY

This appliance complies with EMC directive 89/336/EEC concerning radio disturbances.

LEGENDA

- A Display
- B Keyboard
- 1. Selection button
- 2. Selection button
- 3. Selection button
- 4. Selection button
- 5. Selection button
- 6. Selection button
- 7. Selection button
- 8. Selection button
- 9. Decaf Selection button
- 10. [WASHING] button
- 11. [STOP] Button
- 12. [MENU] Button
- 13. [-] Button
- 14. [PROG] Programming Button
- 15. [+] Button
- 16. Key to adjust spouts' position to the size of cup
- 17. Key for personalized selection (addition of water, milk etc.)
- 18. Autonomous Water Tank
- 19. Water Spout
- 20. Spouts protection
- 21. Knob to open Waste coffee (dregs) drawer, and drawer
- 22. Support plate for cups
- 23. Liquid wastes drawer
- 24. Main switch
- 25. Steam command handle
- 26. Steam wand
- 27. Handles for steam wand
- 28. Milk foamer' adjuster
- 29. Milk foamer (Cappuccinatore)
- 30. Coffee spouts
- 31. Decanter for milk foamer
- 32. Power cord
- 33. Water Mains connection
- 34. Identification plate
- 35. Frontal panel
- 36. Upper door with key. Access to ground coffee conveyor
- 37. Knob for grinding adjustment
- 38. Key to lock front panel
- 39. Coffee bowl (hopper)
- 40. Chute for ready-ground coffee and for detergent to clean coffee group

NOTES FOR CUSTOMERS

This manual provides information concerning the use, maintenance, and safety of the super automatic espresso coffee and cappuccino machine **I.D.E.A. MERCURY**, designed, and manufactured to guarantee maximum performances and ease of use at the minimum cost.

In thanking you for your choice, we invite you to read with attention the present pamphlet, in order to avoid mistakes and obtain the best results. Should any problem arise, we also suggest referring to this manual before calling for service.

Before delivery, both the factory and your dealer tested your **I.D.E.A. MERCURY** to guarantee perfect functioning. To maintain the machine in this condition and assure a trouble-free use, it is necessary to perform periodical maintenance as described in this manual.

Our company is constantly working to improve its production, therefore **I.D.E.A. s.r.l.** reserves the right to carry out, whenever necessary, modifications without granting such improvements to previously sold machines.

SAFETY RULES

- 1) **Read** carefully this instructions manual before using the machine.
- 2) **Forbid the use** of the machine to non authorized and not qualified personnel.
- 3) **Check power supply sockets** to be properly earthed and protected by thermo-magnetic differential switches.
- 4) **Make sure** electrical features of mains fulfil power supply requirements (voltage, power, frequency) shown on machine's name plate (34).
- 5) **Avoid** immersing or **washing** the machine with jets of water. Do not expose it to materials or **flammable** fumes such as fuels, solvents etc. which could cause fire or explosions. Do not use the machine top as a cup heater.
- 6) **Repairs** must be carried out only by qualified personnel. Any tampering with the machine or its parts forfeits the guarantee.
- 7) **Pull the power supply cord plug** (32) out of socket before disassembling the back cover or the body and during maintenance operations.
- 8) **The replacement of the electric power** cord (32) must be done by specialized personnel qualified by your dealer.
- 9) **Water mains** (33) connected to the machine must be equipped with water softener and filter to eliminate chlorine, limestone and other impurities. Maximum hardness of water must not exceed 20fH or 7 dH.
- 10) **If safety valve operates**, disconnect electric power and call the technical service centre.

TRANSPORTATION AND PACKING

WARNING Do not attempt to move the machine without help. Because of its weight (about 40 Kg.), it might be dangerous to handle it by yourself alone.

After unpacking, ensure that your unit is not damaged in any way. Notification of damage must reach your dealer no later than 24 hours from the purchase date.

If the machine must be shipped or transported elsewhere, pack it in its original specially studied box.

Move and handle with care; do not turn the box on the side or up side down, to avoid water remaining in the boiler and pipes to be spilled around.

CONNECTION AND INSTALLATION

GENERAL NOTICE

Place the machine on a flat support and leave all around about 30 cm. of free space, in order to facilitate installation, cleaning, and servicing. The machine operator must have free access to the frontal part of the unit in order work easily and in safety.

To the usual working distance from the operator, the noise level is under 70 d.b.

The nameplate (34) carrying electric information is on the backside of the machine.

WARNING

- Do not attempt to work the machine when the body is open.
- While grinding coffee, keep hands away from the filling opening of the grinder.
- Never insert fingers in the grinder's opening, even if the machine is off.
- To avoid possible burnings after steam and/or water output, avoid touching the steam (26) and water spouts (19); use the plastic handles (27) on the spouts.
- Check periodically for water leaks; in case of water leak, disconnect power, and call for servicing.
- Should the grinder or the coffee group lock during working, disconnect power, do not attempt to repair, and call for servicing.
- Do not use brands of coffee treated with sugar or syrups.
- Do not operate on the machine before the boiler is completely cold.
- Do not use distilled water.
- When the machine is new, during the initial set up, it is advisable not to consume the first draws of coffee, cappuccino, hot water, and steam.
- The equipment is to be installed complying with the applicable federal, state, or local plumbing codes having jurisdiction.

CONNECTION AND INSTALLATION

WATER MAINS CONNECTION

Connect the machine to water mains by means of the equipped 3/4" pipe connection (33). Should the connection to water mains not be possible, the machine is however equipped with an autonomous and removable water tank (18).

Before connecting, please check the following:

- Be sure that water is **drinkable**; if any doubts, obtain a certificate from a specialized laboratory.
- Check the **water mains pressure**: should be **between 0,5 bar and 8 bar**.
- If water main pressure is **lower than 0,5 bar** it's necessary to **install a pump**.
- If water main pressure is **over 8 bar** it's necessary to install a **pressure regulator**.

WARNING

The water mains must be perfectly efficient and equipped with a water softener and filters for elimination of chlorine, limestone, and other impurities.

To feed the machine with water over 20 fH or 7 dH degrees of hardness, makes the guarantee void.

Contact your nearest dealer for installation of efficient and inexpensive ion-exchange resins filters.

Such filters, eliminating the limestone, extend the life of all components in contact with water and reduce the number of maintenance operations.

ELECTRICAL CONNECTIONS

Check efficiency of mains, effectiveness of ground and conformance to local electrical security rules. The machine is equipped with an electric power cord (32) and a Schuko plug (230V EC standards).

Make sure that mains voltage does correspond to information reported on machine's nameplate (34).

For connection, use a single-phase power supply socket at 230V, 50 / 60 Hz, max. load 16 A following indications on the identification label (34).

DO NOT USE ADAPTERS

Replace any type of socket not corresponding to the plug.

Only personnel qualified by your dealer must carry out replacement of electric power cord (32).

STARTING

Technical service personnel must carry out first installation of the machine

Switching on the main switch (24), the machine will run a testing cycle and displays:

RESET
Please Wait

The heating element stays disconnected until the end of the following tests:

- Test of Dregs Drawer (21) security micro-switch: if the Drawer is open DISPLAY will show:

Drawer Out
PLEASE INSERT

- Test of opening panels (35 - 36) security micro-switch: if a panel is open DISPLAY will show:

Door Open
PLEASE CLOSE

- A complete test of the coffee brewing group is carried out.
- Control of water level in the tank is carried out.
- Control of water level in the boiler is carried out.

WARNING, AT THE TIME OF THE FIRST INSTALLATION, when switching the machine on, the boiler and heat exchangers are completely empty. To fill them it may take longer than the time limit established to re-establish water levels and anti flooding security alarm will operate, blocking all machine's functions.

DISPLAY will show:

WARNING BOILER
Low Water Level

Alternating with

PLEASE
SWITCH OFF-ON

It might be necessary to repeat several times the starting procedure until the boiler is full.

To reset the machine's [BOILER ERROR], turn off the main switch (24) and turn on again.

During such operation it is advisable to block open the steam handle (25) in order to ease the release of air in excess in the boiler.

When the boiler is full and no more alarms block the machine's functions, control of temperature / pressure in the boiler is carried out. If insufficient, the heating element switches on.

DISPLAY will show:

Heating
Please wait

- When the boiler reaches the programmed pressure the machine is ready to deliver. DISPLAY will show:

READY
Press Selection

NOTE:

When the machine is in the [Ready] mode, to eliminate the "phony pressure" due to air inside the boiler, operate the steam lever (25), and let steam flow for a few seconds.

Eliminating the air lock in the boiler, the pressure lowers quickly, but re-establishes right away.

STARTING (follows)

Pressing and holding touch (13)[-], the DISPLAY will show the boiler's pressure in bar

READY x,x Bar Press Selection

WARNING, AT THE TIME OF THE FIRST INSTALLATION, when switching the machine on, after the filling of the boiler, the heat exchangers are still empty. It's therefore necessary to draw a few coffees to fill completely the heat exchangers.

Press, among the selection buttons for coffee, the one programmed with the highest quantity of ground coffee and hold it until a constant flow of coffee goes through the coffee spouts (30).

In order to balance the quantity of water and steam in the boiler, draw two cups of hot water and some steam.

PROGRAMMING & ADJUSTMENTS

The machine is ready programmed from the factory.

HOW TO ENTER THE PROGRAMMING MODE

Press touch (14)[PROG] for 3 seconds.

DISPLAY will show:

PLEASE INSERT PASSWORD

- Press the 5 selection buttons of your personal programming code.
- If personal password is not codified, press 5 times any selection button.
- If password is correct after the fifth touch the machine automatically enters the programming mode.

DISPLAY will show:

Set Beverage	+
Dose Beverage	-

- Press now the selection button to be programmed.

The machine is settled from the factory without Password. At first installation, the after sales technical service may insert a personal code.

TO PERSONALIZE OR CHANGE PASSWORD, PLEASE CONTACT AFTER SALES TECHNICAL SERVICE

HOW TO EXIT FROM PROGRAMMING MODE

Press touch (11)[STOP].

DISPLAY will show:

READY Press Selection

- You are now out of the programming mode.

PROGRAMMING & ADJUSTMENTS (follows)

PROGRAMMING COFFEE SELECTION BUTTONS

Every selection button is being programmed independently from any other, without limitation of parameters, following the same programming outline.

BUILDING UP THE BEVERAGE

Before starting the programming it's advisable to establish which beverage to allocate to each selection button and insert the printed label next to the relevant button, for example:

Touch n. 1	Espresso	Touch n. 2	Long Espresso
Touch n. 3	Espresso x 2	Touch n. 4	Americano
Touch n. 5	Cappuccino	Touch n. 6	Latte
Touch n. 7	Foamed Milk	Touch n. 8	Hot Water

Entering in Programming Mode, program every selection button following the steps suggested by the menu, in order to engender the specific beverage according to the choice of the user. The possible options are:

espresso (short and long), 2 espressos (short and long), americano (long espresso with addition of hot water), hot milk with no foam, foamed milk, latte (coffee and milk with no foam), cappuccino (coffee and foamed milk), hot water.

After having set the beverage, dosage of the beverage ingredients must be programmed.

Enter Programming Mode and, after having digitised the recorded Password, press the selection button to be programmed. DISPLAY will show:

Set Beverage	+
Dose Beverage	-

Choose Set Beverage with (+) flashing to engender the beverage. DISPLAY will show:

Set Beverage
Press selection

Or choose Dose Beverage with (-) flashing to establish or change quantities of beverage's ingredients. DISPLAY will show:

Dose Beverage
Press selection

Press, among the 8 key buttons, the selection button to be programmed.

NOTE

To change from (+) flashing to (-) flashing, press touch (13)[-].

To change from (-) flashing to (+) flashing, press touch (15)[+].

The procedure to program every single beverage is explained in the following paragraphs.

PROGRAMMING & ADJUSTMENTS (follows)

FORMATION OF BEVERAGES AND PROGRAMMING OF DOSES

HOT WATER

Enter Programming Mode and digitise the recorded Password; if correct, DISPLAY will show:

Set Beverage	+
Dose Beverage	-

Choose Set Beverage; press (+).
DISPLAY will show:

Set Beverage	
Press Selection	

Press selection key "X" to be programmed.
DISPLAY will show:

Price ?	
- No	Yes +

**To program the price of the beverage
in case of paying system**

NOTE: the symbol (-) or (+) flashing indicates the actual selection mode.

Choosing Yes with (+) flashing and confirming pressing key (14)[PROG] or key "X" to be programmed,
DISPLAY will show:

Coins	+
Token	-

To program the type of payment

If the choice is (-), key "X" is set to accept only tokens.

If the choice is (+), the price in coins must be set using touches (15)[+] or (13)[-].

To confirm and record, press again the same selection button "X" to be programmed or touch (14)[PROG].

When DISPLAY will show:

Price ?	
- No	Yes +

**To program the price of the beverage
in case of paying system**

Choosing No with (-) flashing, and pressing selection button "X" to be programmed or touch (14)[PROG] to confirm,
DISPLAY will show:

Hot Water ?	
- No	Yes +

To program the Hot Water delivery

To program the selection button established for Hot Water show Yes with (+) flashing.

To confirm and record, press again the same selection button "X" to be programmed or touch (14)[PROG].

DISPLAY will show:

Set Beverage	+
Dose Beverage	-

Choose Dose Beverage; press (-).
DISPLAY will show:

Dose Beverage	
Press Selection	

**To program the dosage of beverage's
ingredients**

Press selection "X" key to be programmed.

PROGRAMMING & ADJUSTMENTS (follows)

DISPLAY will show:

Water time "X"
- Seconds Auto +

To program quantity of water for selection button "X"

Choose **Seconds** with (-) flashing, and confirm pressing key "X" to be programmed or touch (14)[PROG], in order to set the length of delivery in the cup, established in seconds.

DISPLAY will show:

Water time "X"
xxx Seconds

- Press touch (15)[+] to increase time of delivery, touch (13)[-] to decrease.
- To confirm and record the changes, press again the same selection button "X" or touch (14)[PROG].

Choosing **Auto** with (+) flashing, and pressing key "X" to be programmed or touch (14)[PROG] to confirm, the delivery starts. When the quantity in the cup has been reached, press again the same selection button "X" or touch (14)[PROG] to confirm and record.

DISPLAY will show:

Water time "X"
xxx Seconds

To change if necessary time in seconds, use keys (+) or (-).

To confirm and record the changes, press again the button "X" to be programmed or touch (14)[PROG].

DISPLAY will show:

Set Beverage +
Dose Beverage -

Choose Set Beverage; press (+).

DISPLAY will show:

Set Beverage
Press Selection

To program the formation of the next beverage

ESPRESSO, SHORT ESPRESSO, LONG ESPRESSO

Enter Programming Mode and digitise the recorded Password; if correct, DISPLAY will show:

Set Beverage +
Dose Beverage -

Choose Set Beverage; press (+).

DISPLAY will show:

Set Beverage
Press Selection

Press selection key "X" to be programmed.

DISPLAY will show:

Price ?
- No Yes +

To program the price of the beverage in case of paying system

PROGRAMMING & ADJUSTMENTS (follows)

NOTE: the symbol (-) or (+) flashing indicates the actual selection mode.

Choosing Yes with (+) flashing and confirming pressing key (14)[PROG] or key "X" to be programmed, DISPLAY will show:

Coins	+
Token	-

To program the type of payment

If the choice is (-), key "X" is set to accept only tokens.

If the choice is (+), the price in coins must be set using touches (15)[+] o (13)[-].

To confirm and record, press again the same selection button "X" to be programmed or touch (14)[PROG].

When DISPLAY will show:

Price ?	
- No	Yes +

To program the price of the beverage in case of paying system

Choosing No with (-) flashing and confirming pressing the key "X" to be programmed or touch (14)[PROG], DISPLAY will show:

Hot Water ?	
- No	Yes +

To program the Hot Water delivery

Choose No with (-) flashing and confirm pressing the key "X" to be programmed or touch (14)[PROG].

DISPLAY will show:

Coffee ?	
- No	Yes +

To program coffee delivery

Choose Yes with (+) flashing and confirm pressing the key "X" to be programmed or touch (14)[PROG].

DISPLAY will show:

Americano ?	
- No	Yes +

To program the delivery of americano adding hot water

If no americano with addition of hot water is required, choose No (-) flashing and confirm "X" or (14)[PROG].

DISPLAY will show:

Milk ?	
- No	Yes +

To program delivery of Milk

Choose No with (-) flashing and confirm pressing the key "X" to be programmed or touch (14)[PROG]. DISPLAY will show:

Set Beverage	+
Dose Beverage	-

Choose Dose Beverage; press (-).

DISPLAY will show:

Dose Beverage	
Press Selection	

To program the dosage of beverage's ingredients

Press key "X" to be programmed.

DISPLAY will show:

Grinding time	
Coffee "X" xxx sec	

To program the quantity of ground coffee in the brewing cup

PROGRAMMING & ADJUSTMENTS (follows)

To increase grinding time (in seconds) press button (15)[+], to decrease, button (13)[-].
To confirm and record, press touch (14)[PROG] or button "X" to be programmed.
DISPLAY will show:

Coffee "X"
- CC Auto +

To program the quantity of coffee delivered in the cup

Choose **CC** with (-) flashing to set the quantity of coffee delivered in the cup calculated in CC.
- Press touch (15)[+] to increase the output, **measured in CC**, or touch (13)[-] to decrease.
- To confirm and record, press again the button "X" to be programmed or touch (14)[PROG].
Choosing **Auto** with (-) flashing, the machine starts delivery.

DISPLAY will show:

Coffee "X"
Please wait

- When the level in the cup is reached, press again the button "X" to be programmed, or touch (14)[PROG].
DISPLAY will show:

Coffee "X"
Delivery xxx CC

Press touch (15)[+] or touch (13)[-] to change the delivery quantity.
To confirm and record changes, press again the button "X" to be programmed or touch (14)[PROG].
DISPLAY will show:

Set Beverage +
Dose Beverage -

Choose Set Beverage; press (+).
DISPLAY will show:

Set Beverage
Press Selection

To program the formation of the next beverage

AMERICANO

Enter Programming Mode and digitise the recorded Password; if correct, DISPLAY will show:

Set Beverage +
Dose Beverage -

Choose Set Beverage; press (+).
DISPLAY will show:

Set Beverage
Press Selection

Press the key "X" to be programmed.
DISPLAY will show:

Price ?
- No Yes +

To program the price of the beverage in case of paying system

NOTE: the symbol (-) or (+) flashing indicates the actual selection mode.

PROGRAMMING & ADJUSTMENTS (follows)

Choosing Yes with (+) flashing and confirming pressing key (14)[PROG] or key "X" to be programmed, DISPLAY will show:

Coins	+	To program the type of payment
Token	-	

If the choice is (-), key "X" is set to accept only tokens.

If the choice is (+), the price in coins must be programmed using touches (15)[+] or (13)[-].

To confirm and record, press again the same selection button "X" to be programmed or touch (14)[PROG].

When DISPLAY will show:

Price ?		To program the price of the beverage in case of paying system
- No	Yes +	

Choosing No with (-) flashing and confirming pressing the key "X" to be programmed or touch (14)[PROG], DISPLAY will show:

Hot Water ?		To program the Hot Water delivery
- No	Yes +	

Choose No with (-) flashing and confirm pressing the key "X" to be programmed or touch (14)[PROG].

DISPLAY will show:

Coffee ?		To program coffee delivery
- No	Yes +	

Choose Yes with (+) flashing and confirm pressing the key "X" to be programmed or touch (14)[PROG].

DISPLAY will show:

Americano ?		To program the delivery of americano adding hot water
- No	Yes +	

Choose Yes with (+) flashing and confirm pressing the key "X" to be programmed or touch (14)[PROG].

DISPLAY will show:

Set Beverage	+
Dose Beverage	-

Choose Dose Beverage; press (-).

DISPLAY will show:

Dose Beverage		To program the dosage of beverage's ingredients
Press Selection		

Press the key "X" to be programmed.

DISPLAY will show:

Grinding time		To program the quantity of ground coffee in the brewing cup
Coffee "X" xxx sec		

To increase grinding time (in seconds) press button (15)[+], to decrease, button (13)[-].

To confirm and record press the key "X" to be programmed or touch (14)[PROG].

DISPLAY will show:

Coffee "X"		To program the quantity of coffee delivered in the cup
- CC	Auto +	

PROGRAMMING & ADJUSTMENTS (follows)

Choose **CC** with (-) flashing to set the quantity of coffee delivered in the cup calculated in CC.

- Press touch (15)[+] to increase the output, **measured in CC**, or touch (13)[-] to decrease.
- To confirm and record, press again the selection button "X" to be programmed or touch (14)[PROG].

Choosing **Auto** with (-) flashing, the machine starts delivery.

DISPLAY will show:

Coffee "X"
Please wait

- When the level in the cup is reached, press again the button "X" to be programmed, or touch (14)[PROG].

DISPLAY will show:

Coffee "X"
Delivery xxx CC

Press touch (15)[+] or touch (13)[-] to change the delivery quantity.

To confirm and record changes, press again the button "X" to be programmed or touch (14)[PROG].

DISPLAY will show:

Americano "X"
- CC Auto +

**To program the quantity of hot water
addition delivered in the cup**

Choose **CC** with (-) flashing to set the quantity of coffee delivered in the cup calculated in CC.

- Press touch (15)[+] to increase the output, **measured in CC**, or touch (13)[-] to decrease.
- To confirm and record, press again the button "X" to be programmed or touch (14)[PROG].

Choosing **Auto** with (-) flashing, the machine starts delivery of additional hot water.

DISPLAY will show:

Americano "X"
Please wait

- When the level in the cup is reached, press again the button "X" to be programmed, or touch (14)[PROG].

DISPLAY will show:

Americano "X"
Delivery xxx CC

Press touch (15)[+] or touch (13)[-] to change the delivery quantity.

To confirm and record changes, press again the button "X" to be programmed or touch (14)[PROG].

DISPLAY will show:

Set Beverage +
Dose Beverage -

Choose Set Beverage; press (+).

DISPLAY will show:

Set Beverage
Press Selection

**To program the formation of the next
beverage**

PROGRAMMING & ADJUSTMENTS (follows)

HOT MILK, FOAMED MILK

Enter Programming Mode and digit the recorded Password; if correct, DISPLAY will show:

Set Beverage	+
Dose Beverage	-

Choose Set Beverage; press (+).
DISPLAY will show:

Set Beverage	
Press Selection	

Press the key "X" to be programmed.
DISPLAY will show:

Price ?	
- No	Yes +

**To program the price of the beverage
in case of paying system**

NOTE: the symbol (-) or (+) flashing indicates the actual selection mode.

Choosing Yes with (+) flashing and confirming pressing key (14)[PROG] or key "X" to be programmed,
DISPLAY will show:

Coins	+
Token	-

To program the type of payment

If the choice is (-), key "X" is set to accept only tokens.

If the choice is (+), the price in coins must be set using touches (15)[+] or (13)[-].

To confirm and record, press again the same selection button "X" to be programmed or touch (14)[PROG].

When DISPLAY will show:

Price ?	
- No	Yes +

**To program the price of the beverage
in case of paying system**

Choosing No with (-) flashing and confirming pressing the key "X" to be programmed or touch (14)[PROG], DISPLAY will show:

Hot Water ?	
- No	Yes +

To program the Hot Water delivery

Choose No with (-) flashing and confirm pressing the key "X" to be programmed or touch (14)[PROG].
DISPLAY will show:

Coffee ?	
- No	Yes +

To program coffee delivery

Choose No with (-) flashing and confirm pressing the key "X" to be programmed or touch (14)[PROG].
DISPLAY will show:

Milk ?	
- No	Yes +

To program delivery of Milk

Choose Yes with (+) flashing and confirm pressing the key "X" to be programmed or touch (14)[PROG].

PROGRAMMING & ADJUSTMENTS (follows)

DISPLAY will show:

Foamed milk?	-
Hot milk ?	+

Press key (-) to allocate foamed milk to the selection button "X" to be programmed.

Press key (+) to allocate hot milk with no foam to the selection button "X" to be programmed.

To confirm press the key "X" to be programmed or touch (14)[PROG].

DISPLAY will show:

Set Beverage	+
Dose Beverage	-

Choose Dose Beverage; press (-).

DISPLAY will show:

Dose Beverage	
Press Selection	

To program the dosage of beverage's ingredients

Press the key " X" to be programmed.

DISPLAY will show:

Milk time "X"	
- Seconds	Auto +

To program the quantity fo Milk in the cup for selection key "X"

Choose **Seconds** with (-) flashing, and confirm pressing key "X" to be programmed or touch (14)[PROG], in order to set the time length of milk delivery in the cup, established in seconds.

DISPLAY will show:

Milk time "X"	
xxx	Seconds

- Press touch (15)[+] to increase time of delivery, touch (13)[-] to decrease.
- To confirm and record the changes, press again the key "X" to be programmed or touch (14)[PROG].

Choosing **Auto** with (+) flashing, and confirming pressing key "X" to be programmed or touch (14)[PROG], the milk delivery starts through the foamer.

When the milk level has been reached, to confirm press key "X" to be programmed or touch (14)[PROG].

DISPLAY will show:

Milk time "X"	
xxx	Seconds

To change time if necessary, use keys (15)[+] or (13)[-].

To confirm and record the changes, press again the button "X" to be programmed or touch (14)[PROG]. DISPLAY will show:

Set Beverage	+
Dose Beverage	-

Choose Set Beverage; press (+).

DISPLAY will show:

Set Beverage	
Press Selection	

To program the formation of the next beverage

PROGRAMMING & ADJUSTMENTS (follows)

LATTE, CAPPUCCINO

Enter Programming Mode and digit the recorded Password; if correct, DISPLAY will show:

Set Beverage	+
Dose Beverage	-

Choose Set Beverage; press (+).
DISPLAY will show:

Set Beverage
Press Selection

Press selection key "X" to be programmed.
DISPLAY will show:

Price ?
- No Yes +

**To program the price of the beverage
in case of paying system**

NOTE: the symbol (-) or (+) flashing indicates the actual selection mode.

Choosing Yes with (+) flashing and confirming pressing key (14)[PROG] or key "X" to be programmed,
DISPLAY will show:

Coins	+
Token	-

To program the type of payment

If the choice is (-), key "X" is set to accept only tokens.

If the choice is (+), the price in coins must be programmed using touches (15)[+] or (13)[-].

To confirm and record, press again the same selection button "X" to be programmed or touch (14)[PROG].

When DISPLAY will show:

Price ?
- No Yes +

**To program the price of the beverage
in case of paying system**

Choosing No with (-) flashing and confirming pressing the key "X" to be programmed or touch (14)[PROG], DISPLAY will show:

Hot Water ?
- No Yes +

To program the Hot Water delivery

Choose No with (-) flashing and confirm pressing the key "X" to be programmed or touch (14)[PROG].
DISPLAY will show:

Coffee ?
- No Yes +

To program coffee delivery

Choose Yes with (+) flashing and confirm pressing the key "X" to be programmed or touch (14)[PROG].
DISPLAY will show:

Americano ?
- No Yes +

**To program the delivery of americano
adding hot water**

If no americano and addition of hot water is required, choose No (-) flashing and confirm depressing "X" or (14)[PROG]).

PROGRAMMING & ADJUSTMENTS (follows)

DISPLAY will show:

Milk ?	
- No	Yes +

To program Milk delivery

Choose Yes with (+) flashing and confirm pressing the key "X" to be programmed or touch (14)[PROG].

DISPLAY will show:

Foamed milk ?	-
Hot milk ?	+

Press key (13)[-] to allocate foamed milk to the selection button "X" to be programmed.

Press key (15)[+] to allocate hot milk with no foam to the selection button "X" to be programmed.

To confirm press the key "X" to be programmed or touch (14)[PROG].

DISPLAY will show:

First delivered	
- Milk	Coffee +

Press key (13)[-] to program first the delivery of milk followed by the delivery of coffee.

Press key (15)[+] to program first the delivery of coffee followed by the delivery of milk.

To confirm and record, press the key "X" to be programmed or touch (14)[PROG].

DISPLAY will show:

Set Beverage	+
Dose Beverage	-

Choose Dose Beverage; press (-).

DISPLAY will show:

Dose Beverage	
Press Selection	

To program the dosage of beverage's ingredients

Press the key "X" to be programmed.

DISPLAY will show:

Grinding time	
Coffee "X" xxx sec	

To program the quantity of ground coffee in the brewing cup

To increase grinding time (in seconds) press button (15)[+], to decrease, button (13)[-].

To confirm and record press the key "X" to be programmed or touch (14)[PROG].

DISPLAY will show:

Coffee "X"	
- CC	Auto +

To program the quantity of coffee delivered in the cup for key "X"

Choose **CC** with (-) flashing to set the quantity of coffee delivered in the cup calculated in CC.

- Press touch (15)[+] to increase the output, **measured in CC**, or touch (13)[-] to decrease.

- To confirm and record, press again the selection button "X" to be programmed or touch (14)[PROG].

Choosing **Auto** with (+) flashing, the machine starts delivery.

DISPLAY will show:

Coffee "X"
Please wait

When the level in the cup is reached, press again the button "X" to be programmed, or touch (14)[PROG].

PROGRAMMING & ADJUSTMENTS (follows)

DISPLAY will show:

Coffee "X"
Delivery xxx CC

Press touch (15)[+] or touch (13)[-] to change the quantity to be delivered.
To confirm and record changes, press again the button "X" to be programmed or touch (14)[PROG].

DISPLAY will show:

Milk time "X"
- Seconds Auto +

To program the quantity fo Milk in the cup for selection key "X"

Choose **Seconds** with (-) flashing, and confirm pressing key "X" to be programmed or touch (14)[PROG], in order to set the time length of milk delivery in the cup, established in seconds.

DISPLAY will show:

Milk time "X"
xxx Seconds

- Press touch (15)[+] to increase time of delivery, touch (13)[-] to decrease.
- To confirm and record the changes, press again the key "X" to be programmed or touch (14)[PROG].

Choosing **Auto** with (+) flashing, and confirming pressing key "X" to be programmed or touch (14)[PROG], the milk delivery starts through the foamer.

When the milk level has been reached, to confirm press key "X" to be programmed or touch (14)[PROG].

DISPLAY will show:

Milk time "X"
xxx Seconds

To change time, use keys (15)[+] & (13)[-].

To confirm and record the changes, press again the button "X" to be programmed or touch (14)[PROG]. DISPLAY will show:

Set Beverage +
Dose Beverage -

Choose Set Beverage; press (+).

DISPLAY will show:

Set Beverage
Press Selection

To program the formation of the next beverage

GRINDING ADJUSTMENT

Knob (37) allows manual adjustment of grinding coarseness.

- Turn the knob (37) clockwise for finer ground coffee - slower brewing speed.
- Turn the knob (37) anti-clockwise for coarser ground coffee - higher brewing speed.

NOTE

Quality of coffee delivered (a part from the coffee itself) depends on two strictly correlated parameters:

- Coarseness (depending on grinding adjustment).
- Quantity of ground coffee in the brewing cup.

For single coffee, try 3.5 seconds grinding time; about 7.5 to 8.5 gr. of coffee, depending on type of coffee.

For double coffees, try 5.0 seconds grinding time; about 12 to 13 grams of coffee, depending on the coffee.

Verify that the outflow of coffee delivery is not too slow (drops) or too fast (little or no cream).

Then adjust step-by-step grinding coarseness and time of grinding based on quality of coffee delivered.

OPERATION

NORMAL USE

The machine is ready programmed from the factory.

When DISPLAY shows:

READY
Press Selection

- Adapt position of coffee spouts (20) to the size of the cup pressing touch (16)
- Arrow up to lift; arrow down to lower.
- Press the selection button corresponding to the required beverage, shown on the label.
- Do not remove the cup before the end of delivery.
- **To avoid burns, do not touch the delivery spouts, especially those for hot water (19) and steam (26).**
- Before a new selection, wait for DISPLAY to show Machine Mode Ready as indicated above.

To change programming of quantity of ground coffee, of quantity of coffee or milk in the cup, refer to chapter 3- Programming and Adjustments.

USE OF READY GROUND COFFEE (DECAFFEINATED)

Ready ground coffee (decaf, barley, flavoured etc.) can be used disconnecting the grinder.

- To disconnect the grinder, press for 3 seconds touch (9)[DECAF]. DISPLAY will show:

Decaf
Press selection

- Insert one or two doses of ready ground coffee through the coffee chute (40).
- Press the selection button corresponding to the desired beverage indicated on the label.
- At the end of delivery, the machine **automatically connects the grinder** and goes back to normal Mode of

READY
Press Selection

CONTINUOUS (MULTI) COFFEE CYCLE

The MULTI function allows non-stop deliveries (programmable from 2 to 10 cycles) of all beverages containing coffee.

Press touch (12)[MENU];

DISPLAY will show:

Multi Coffee
- 2 +

- The number 2 flashes on DISPLAY.
- To increase the number of non-stop deliveries, press touch (15)[+]; to decrease, touch (13)[-].
- Press selection button "X" corresponding to the desired beverage indicated on the label.
- To stop the current coffee delivery, press again the same selection button.
- To interrupt the continuous **MULTI** cycle press touch (11)[STOP].

OPERATION (follows)

HOT WATER DELIVERY and personalized selection button (17)

If a selection button has been programmed for Hot Water delivery, pressing that touch, the quantity of Hot Water obtained, corresponds to the time programmed. Refer to chapter 3-Programming and Adjustments.

The key (17) for personalized selection can be allocated to Hot Water delivery, thus freeing one of the 8 selections. Press and hold the touch (17). Release when reaching the desired dose.

WARNING : the personalized selection key has two operating positions (standard equipment):

- Press upwards to deliver additional foamed milk or hot milk without foam.
- Press downwards to deliver hot water or washing of milk foamer.
- On request, your after sales service, may customise key (17).

WARNING : To prevent possible burnings do not touch the Hot Water spouts (19) after delivery.

STEAM DELIVERY

The delivery of steam from the spouts (26) is manually controlled through the lever (25).

WARNING : To prevent possible burnings do not touch the steam pipe (26) after delivery.
To move spouts to the requested position, use the handles (27) on the pipe.

INTERRUPTION AND INCREASE OF DELIVERIES (in any machine mode)

It is possible to cut **any selection** output before end of delivery:

- pressing again the same selection button or pressing touch (11)[STOP].

During delivery of **Cappuccino** and / or **Latte**:

- To cut the outflow of the "**first product**" before the end of programmed time, press again selection key "X".
- To cut then the outflow of the "**second product**" before reaching the programmed quantity press again selection key "X".
- To stop at any moment the Cappuccino output (the whole selection) press (11)[STOP].

During any delivery it's possible **to prolong** the outflow in the cup by holding the selection touch "X" pressed.

OPERATING MENU

Press touch (12)[MENU]; DISPLAY will show:

Multi Coffee N. 2

- The MULTI function allows non-stop delivery (programmable from 2 to 10 cycles) of all beverages containing coffee, without pressing the selection button at the end of every delivery.
- To increase the number of non-stop deliveries, press touch (15)[+]; to decrease, touch (13)[-].
- Press selection button "X" corresponding to the desired beverage indicated on the label.

OPERATING MENU (follows)

Press touch (12)[MENU]: DISPLAY will show:

or

Language
English

Lingua
Italiano

- To change language on display, press touch (15)[+] or (13)[-].
- To confirm and record the changes, press touch (12)[MENU].

DISPLAY will show:

To change pressure in the boiler
from 0.6 to 2.0 bar

Boiler pressure
x.x bar

Pressure suggested between
1.1 and 1.4 bar

- To increase pressure, press touch (15)[+], to decrease pressure press touch (13)[-].
- To confirm and record changes, press again button (12)[MENU].

DISPLAY will show:

To program time of automatic foamer
washing-cycle at every delivery

Washing foamer
xx.x sec.

Recommended time of washing
0.5 seconds

- To increase seconds of water flow (from 0.0 to 1.0 sec.), press button (15)[+], to decrease press (13)[-].
- NOTE: if the value of the parameter is – 0 – the function is disconnected.**
- To confirm and record changes, press again button (12)[MENU].

DISPLAY will show:

To program the capacity of the drawer
for coffee dregs (wastes)

Dregs Drawer
N. xxxx

Number of dregs recommended of
for standard drawer: 50-60 max.100

- To increase number of dregs press button (15)[+], to decrease press touch (13)[-].
- NOTE: If value of dregs is – 0 – the function is disconnected.**
- To confirm and record changes, press again button (12)[MENU].

DISPLAY will show:

Dregs Drawer
PLEASE EMPTY

- Empty the dregs drawer (21) with the machine on so that the counter resets.
- If the programmed number is zero, the machine won't stop (Under the table drain for wastes is necessary).
- To confirm and record changes, press again button (12)[MENU].

DISPLAY will show:

To show the need of programmed
maintenance

Mainten. Program.
Over xxxxx cycles

Recommended N. of cycles: 30.000

- To increase (100 cycles at a time from 100 to 50,000), press button (15)[+], to decrease press touch (13)[-].
- NOTE: If value of cycles is – 0 – the function is disconnected.**
- To confirm and record changes, press again button (12)[MENU].

OPERATING MENU (follows)

DISPLAY will show:

Total Counter
xxxxxx.

To keep trace and control of the grand total of deliveries (cannot be reset)

For next function, press button (12)[MENU].

DISPLAY will show:

Partial xxxxx
- Erase Exit +

To keep trace and control of total deliveries since last reset

- To control deliveries on partial counter of any selection button "X", press button "X".

DISPLAY will show:

Selection "X"
xxxxx

- To exit without erasing, press (15)[+].
- To erase partial counter press (13)[-].

DISPLAY will show:

PLEASE INSERT
PASSWORD

- Digitise recorded Password; if correct the counter resets automatically.

To exit from OPERATING MENU press touch (15)[+].

WARNINGS

The following warnings point out some of the most common and evident troubles. If after having followed the suggested operations the machine does not work, do not try to tamper with it, but contact immediately the nearest dealer or servicing agent.

TANK FILLING -LOW WATER LEVEL

WARNING TANK Low
Water Level

Alternating

PLEASE
SWITCH OFF-ON

with

ORIGIN: Water level in **the tank** is not sufficient. Tank filling exceeds expected time of 60 seconds due to a failure of water-feeding solenoid, of the detecting system or of lack of water in the mains (filters dirty).

EFFECTS: Operations in progress are completed; all following selection, coffee group movement and all output are stopped.

RESET: Switch the machine off and on again.

Automatically resets when water reaches the level detected by the probes.

WARNINGS (follows)

BOILER FILLING – LOW WATER LEVEL

WARNING BOILER Low
Water Level

Alternating with

PLEASE
SWITCH OFF-ON

- ORIGIN: The filling of **the boiler** has exceeded the time limit of 60 seconds, because of a failure of the water-feeding pump or of the detecting system or because of insufficient water level in the tank.
- EFFECTS: Operations in progress are completed; all following selection, coffee group movement and all output are stopped.
- RESET: Switch the machine off and on again.
Automatically resets when water reaches the level detected by the probes.

DREGS (WASTE) DRAWER FULL

Dregs Drawer
PLEASE EMPTY

- ORIGIN: Dregs drawer (21) is full. The counting has reached the programmed limit of dregs.
- EFFECTS: Coffee selections are stopped.
- RESET: Remove and empty the dregs drawer (21). Emptying operation must exceed 7 seconds.
- NOTE: Empty the drawer **only when the machine is on**.
- WARNING** Whenever the drawer (21) is out for more than 7 seconds, the counting restarts from zero again. Therefore, if the drawer is out, always remove the dregs.

DREGS (WASTE) DRAWER NOT INSERTED (OPEN)

Drawer Out
Please Insert

- ORIGIN: The dregs drawer (21) is not correctly inserted or for some reason it stays open.
- EFFECTS: All selections and current operations are stopped.
- RESET: Insert the drawer (21) correctly.

GROUP MOVEMENT

MOTOR TIME OUT
PLEASE CHECK

Alternating with

PLEASE
SWITCH OFF-ON

- ORIGIN: The movement of the motor has exceeded the programmed working time of 12 seconds because of failure of motor, or of control system, or of position detector.
- EFFECTS: The movement of coffee group is stopped; selections and current operations are blocked.
- RESET: Switch the machine off and on again.

WARNINGS (follows)

FLOW METER

FLOWMETER ERROR
PLEASE CHECK

ORIGIN: While pump is on duty, the flow meter has not sent impulses for more than 3 seconds.
EFFECTS: Display just for information.
RESET: When the impulses start again or at a new selection.

BREWING DISTRIBUTION

OVERTIME DELIVERY Alternating with PLEASE SWITCH OFF-ON

ORIGIN: Brewing time has exceeded the limit of 120 seconds, because of a system's failure. It is the consequence of a flow-meter alarm not resetted.
EFFECTS: All functions are stopped (selections, heating and levels).
RESET: Switch the machine off and on again.

HEATING

WARNING BOILER HEATING BLOCKED Alternating with PLEASE SWITCH OFF-ON

ORIGIN: Check of the heating time. The heating element remains excited longer than 12 minutes without the boiler getting to the programmed pressure.
EFFECTS: All functions are stopped (selections, heating and levels).
RESET: Switch the machine off and on again.

THE BOILER IS EQUIPPED WITH A MAXIMUM PRESSURE SAFETY VALVE AND WITH A MAXIMUM TEMPERATURE PROTECTION, MANUALLY RESETTABLE (Press red button on the thermostat).

DOORS OPEN

Door Open
PLEASE CLOSE

ORIGIN: The Top Door (36) and the Front panel (35) are not closed correctly.
EFFECTS: All functions are stopped (selections, heating and levels).
RESET: Close all doors (35 – 36) correctly.

WARNINGS (follows)

AUTONOMOUS WATER TANK INCORRECTLY PLACED

Water tank Out
PLEASE INSERT

ORIGIN: The autonomous water tank (18) is not correctly placed in.
EFFECTS: All selections are stopped.
RESET: Insert the water tank in the correct way.

CLEANING

CLEANING OF MILK FOAMER (29)

After every delivery the Milk Foamer (29) is automatically washed with hot water for a time programmable from 0.0 to 1.0 second (refer to chapter 5 - Operating Menu).

Suggested washing time 0,3 - 0,5 sec.

Programmed time 0.0 seconds excludes WASHING MODE

It's advisable to clean periodically the foaming device with hot water, even during day operation.

Press the key (10)[WASHING].

DISPLAY will show:

Washing group +
Washing foamer -

**To operate a washing cycle of coffee
brewing group or of foamer**

- Press key (13)[-] to start a 5 seconds hot-water washing-cycle of the foamer.

DISPLAY will show:

Washing Foamer
Please wait

- To interrupt the washing cycle press button (11)[STOP].

DISPLAY will show:

READY
Press selection

IMPORTANT

At the beginning and at the end of working day, clean Foamer device more accurately as follows:

- Insert the silicon pipe for milk draw in a container full of water.
- Press [LATTE] selection button (refer to chapter 3 - Programming & Adjustments)
- Repeat the above operation several times until water output is clear.
- Open the Decanter (31), empty it, and wash it carefully.

Periodically disassemble Milk Foamer (29) and Decanter (31), and wash components with detergent for dishes.

CLEANING (follows)

WASHING OF COFFEE BREWING GROUP AND DELIVERY SYSTEM

Press the key (10)[WASHING].
DISPLAY will show:

Washing group +
Washing foamer -

To operate a washing cycle of coffee brewing group or of foamer

- Press (15)[+] to start washing of coffee brewing group.
DISPLAY will show:

Washing group
Please wait

Special detergent (tablets or powder) may be inserted through the decaf chute (40).
The machine will repeat automatically delivery cycles with no coffee.

Warning: Do not drink the first coffee delivered after the end of the washing cycle: it's water-diluted.

Draw a couple of coffees after general washing, to re-establish water level in the heat exchanger.

To interrupt washing cycle before the end of programmed time, press touch (11)[STOP].
DISPLAY will show:

READY
Press selection

CLEANING OF THE MACHINE

Cleaning of dregs drawer (21)

- At the end of the day it is advisable to clean the coffee dregs (waste) drawer (21) even if DISPLAY does not indicate:

Dregs Drawer
PLEASE EMPTY

Always clean with the machine on.

Cleaning of coffee spouts (30) and of Foamer's Decanter (31)

- Daily it is recommended to wash the Decanter (31) with hot water and detergent.
- Weekly it is recommended to wash the coffee spouts (30) with hot water and detergent.
- Remove the spouts protection (20) and disconnect spouts (29)(30) and Decanter (31) from silicon tubes.

The Decanter (31) stops the reflux of milk residuals that can stagnate in the conducts.

PROLONGED INACTIVITY

In case of planned prolonged inactivity, it is necessary to operate as follows:

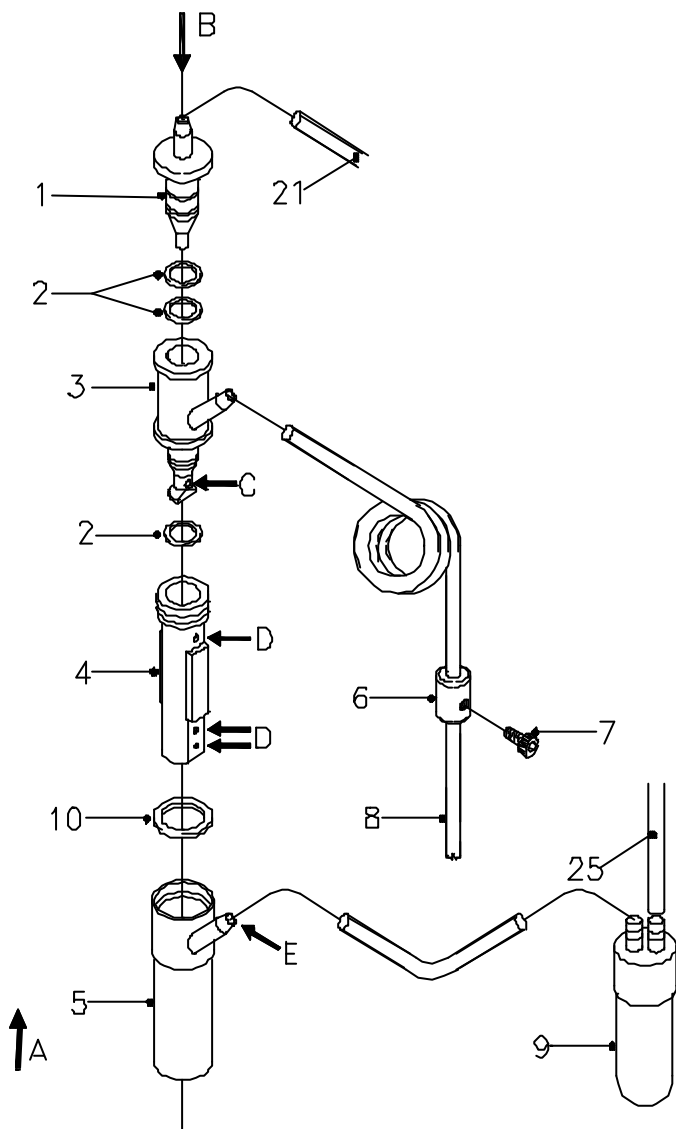
- Remove coffee beans, empty coffee bowl (39), and clean coffee conveyor; access from upper door (36).
- Carry out all cleaning operations indicated under chapter 7-Cleaning.
- Operate several times the Milk Foamer Cleaning cycle described under chapter 7-Cleaning.
- Disassemble and wash with detergent the Milk Foamer (29) and the Decanter (31).
- Remove from socket the electric cord plug (32).
- Disconnect from water mains (33).
- Let the machine **cool down**, remove drain plug and unload the boiler. (Task reserved to service specialists)
- Empty and carefully clean drip tray (23).
- Empty and clean carefully coffee dregs (waste) drawer (21) and its seat.
- **Avoid opening the machine's** body and refrain from carrying out tasks reserved to service specialists.

TECHNICAL SPECIFICATIONS

Width x Depth x Height	mm.	380 x 530 x 500
Height including coffee bowl (hopper)	mm.	660
Weight	Kg.	40
Power and Voltage	W 2300	230V
Hourly coffee production		200
Hourly Cappuccino production		120
Electronic adjustment of ground coffee amount	Gr.	6 / 14
Electronic adjustment of coffee amount in the cup	CC.	20 / 500
Coffee bowl (hopper) capacity	Kg.	1.0
Number of selections freely programmable		8
Use of ready ground coffee (decaffeinated, flavoured etc.)		YES
Continuous delivery selection	Number of cycles	min.2 max.10
Steam tap		YES
Hot water selection (choice of automatic or manual selection)		YES
Automatic built-in frother washing at every delivery		YES
Automatic built-in frother washing on operator's choice		YES
Automatic built-in washing of brewing group		YES
Maximum boiler pressure safety valve		YES
Maximum temperature thermo safety protection		YES
Water main connection		YES
Autonomous water tank		YES
Total deliveries of beverages with coffee, non-resettable general counter		YES
Total deliveries of beverages with coffee, resettable general counter		YES
Standard colour – Metal flamed anthracite		
Colours on request – Metal blue – Bordeaux		Optional
Cylindrical coffee hopper (light blue)		Optional
Modular coupling with "Artic" Mini-Refrigerator		Optional
Modular coupling with "Brenda" Cup-Heater		Optional
Modular "Uranus" paying system device – Tokens or Coins		Optional

Technical features and specifications are indicative and subject to modification without prior notice.

OPERATING INSTRUCTIONS FOR BIVALENT MILK FOAMER / MILK HEATER



INSTALLATION

Assemble every piece as indicated, following direction (A); at last press on the jet-breaker (5) and point (B) to fix all components tight together.

PIPES CONNECTIONS

Connect the machine's silicone tube (21) for steam output - red mark - to nozzle (1) in point (B).
Connect silicon tube (8) to draw milk from container - white mark - to milk intake on component (3).
Connect machine's silicon tube (25) - blue mark - to decanter (9) and the other decanter's fitting to the air intake (E) on jet-breaker (5).

FUNCTIONING

Insert the other end of tube (8) - white mark - in the milk container in order to draw the milk.
Operate on the button programmed for cappuccino or latte.

FOAMER ADJUSTMENT

TEMPERATURE

The cappuccino foamer has been projected in order to obtain optimal foam with all kinds of milk.
To adjust foam temperature, tighten or loose screw (7) - (28) on picture 1 page 2 -. Temperature can vary from 60 to 80 °C approx.

FOAM

It's possible to adjust the frothed milk foam, modifying the air inflow through intake (E).
The more air passing through (E), the bigger are the foam bubbles of cappuccino.
Shutting completely the air intake (E), i.e. pipe (25), milk will heat without frothing.
The machine automatically adjusts air intake according to the selection depressed.

CLEANING

Wash carefully the foamer at least once a day, by taking it to pieces; check that wholes (C) and (D) are clear.
For more details refer to chapter 7 – Cleaning of milk foamer.

APPENDIX 1 PROGRAMMING FOR COINS VALIDATOR

MERCURY is preset to work with the most common payment systems on the market.
A flat cable for a 10 pins serial port does the connection between the keyboard and the coins validation device.
When coupling a coin box to the machine, it's necessary to program the number of decimal figures and the value of the coins accepted.

Enter Programming Mode and digitise the recorded Password; if correct, DISPLAY will show:

Set Beverage	+
Dose Beverage	-

Press the key (12)[MENU] until Display will show:

DECIMALS
0,000

The number of decimals may be changed form 0 to 0,000 pressing buttons (15)[+] or (13)[-].

Press touch (14)[PROG] to record the change.

Display will show:

COIN 1
xxxx

The value to allocate to COIN 1 may be changed pressing buttons (15)[+] or (13)[-].

Press touch (14)[PROG] to record the change.

Display will show:

COIN 2
xxxx

The value to allocate to COIN 2 may be changed pressing buttons (15)[+] or (13)[-].

Press touch (14)[PROG] to record the change.

Proceed the same way to program up to COIN 6.

To exit programming mode press touch (14)[PROG].

DISPLAY will show:

Set Beverage	+
Dose Beverage	-

The setting of the price of beverages is done when programming the selection buttons.
Refer to Chap. 3 PROGRAMMING AND ADJUSTMENTS from page 10 to page 18.

APPENDIX 2?TERMS OF WARRANTY

- I.D.E.A. srl guarantees the machine for 12 months from invoicing date.
- Guarantee covers free replacement of components and spare parts defective from origin.
- I.D.E.A. srl replaces, free ex works, the defective materials returned at customer's expense.
- I.D.E.A. srl does not provide any assistance at customer's firm or seat.

WARNING

I.D.E.A. srl cannot be held responsible for any possible direct and/or indirect harm and/or damage caused to people and/or properties as a consequence of :

- Inappropriate use of the machine.
- Inappropriate supply of power or water.
- Non-authorized intervention or modifications.
- Breakdowns due to carriage and /or transportation.
- Non-correct installation.
- Lack of maintenance.
- Use of non-original spare parts.

I.D.E.A. s.r.l. is not liable in any way to indemnify economic damages due to machine stop, nor to extend the guarantee period in case of breakdown.

INDEX

GENERAL INFORMATION	
Picture 1	page 2
Legenda	page 3
Notes for customers – Safety rules	page 4
Transportation and packing	page 5
Chapter 1 – CONNECTIONS AND INSTALLATION	page 5
General notice and warnings	page 5
Water mains connection – Electrical connections	page 6
Chapter 2 – STARTING	page 7
Chapter 3 – PROGRAMMING AND ADJUSTMENTS	page 8
How to enter programming mode – How to exit programming mode	page 8
Programming coffee selection buttons	page 9
Building up the beverage	page 9
Formation of beverages and Programming of doses	page 10
Programming Hot Water	page 10
Programming Espresso, Short coffee, Long coffee	page 11
Programming Americano	page 13
Programming Hot milk, Foamed milk	page 16
Programming Latte, Cappuccino	page 18
Grinding adjustment	page 20
Chapter 4 – OPERATION	page 21
Normal use	page 21
Use of ready ground coffee (decaffeinated)	page 21
Continuous (Multi) coffee cycle	page 21
Hot water delivery – Customised selection button	page 22
Steam delivery - Interruption and increase of deliveries	page 22
Chapter 5 – OPERATING MENU	page 22
Multi cycle - Language – Boiler pressure – Foamer washing	page 23
Dregs drawer – Programmed maintenance	page 23
Counters – Reset of counters	page 24
Chapter 6 – WARNING ALARMS	page 24
Low water level - Warning tank	page 24
Warning boiler - Dregs drawer full - D. drawer open - Motor timeout	page 25
Flow meter error - Overtime delivery - Heating - Door open	page 26
Autonomous water tank out	page 27
Chapter 7 – CLEANING	page 27
Milk foamer automatic washing	page 27
Washing of coffee brewing group and delivery system	page 28
Machine cleaning – Dregs drawer – Coffee spouts – Decanter	page 28
Chapter 8 – PROLONGED INACTIVITY	page 29
Chapter 9 – TECHNICAL FEATURES	page 29
Chapter 10 – BIVALENT MILK FOAMER INSTRUCTIONS	page 30
APPENDIX 1 PROGRAMMING FOR COINS VALIDATION DEVICE	page 31